

T62 (Ultra Compact Rotator)

Indoor



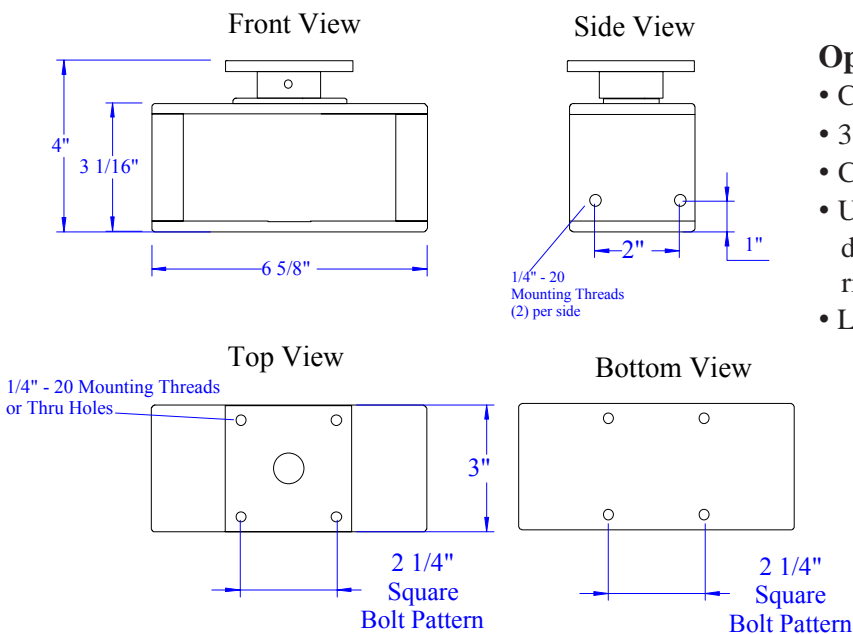
4 Inches tall - 50 LB turning capacity

The T62 includes the following features:

- All position mounting now possible including hanging signs and displays
- Easy access brush assembly, no adjustment necessary
- Frame width has been narrowed from 4" to 3"

To meet the needs of display manufacturers for small yet strong and reliable rotators we have designed the Ultra Compact model. Ultra Compact rotators are built with same high quality standards as Semco's Compact and Standard rotators. Quality engineered and affordably priced.

- ◆ Welded steel frame
- ◆ High-strength machined steel shaft
- ◆ 15 Amps per ring, bronze collector/brush assembly
- ◆ High quality, high strength, sealed bearings top and bottom
- ◆ Chain-drive capacitor-start gearmotor. Can be wired to run CW or CCW
- ◆ 115 V motor, 2 RPM clockwise rotation standard (1 to 5 RPM available)
- ◆ Mounting holes on hub plate, base plate and sides of frame
- ◆ Shipping weight - 6 Lbs.



Optional Features:

- Companion matching plate
- 3-Prong power cord for 115V outlet
- Custom hubs, drilling or machining
- Up to 4 collector rings with same frame dimensions - add 1/2" for each additional ring added
- Long collector ring wires

www.semcomotion.com

Larsen Manufacturing Company

Tel: 866-699-5918
Fax: 801-876-2115
email: sales@semcomotion.com

