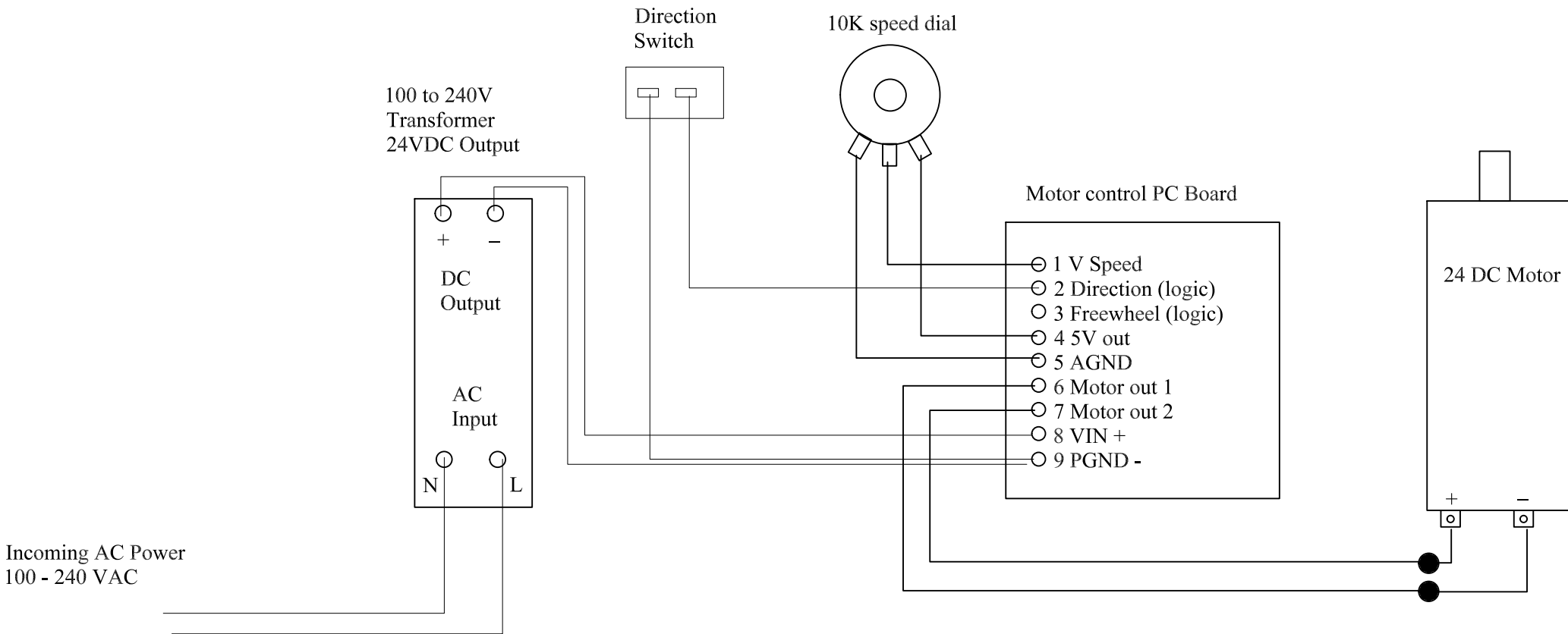


# Semco Compact VS Wiring Diagram Variable Speed Rotator



Note: The rotator normally ships with the motor control and the brush assembly on a single circuit.  
To run the motor separately from rotating circuit, connect the AC transformer wires to a separate circuit.