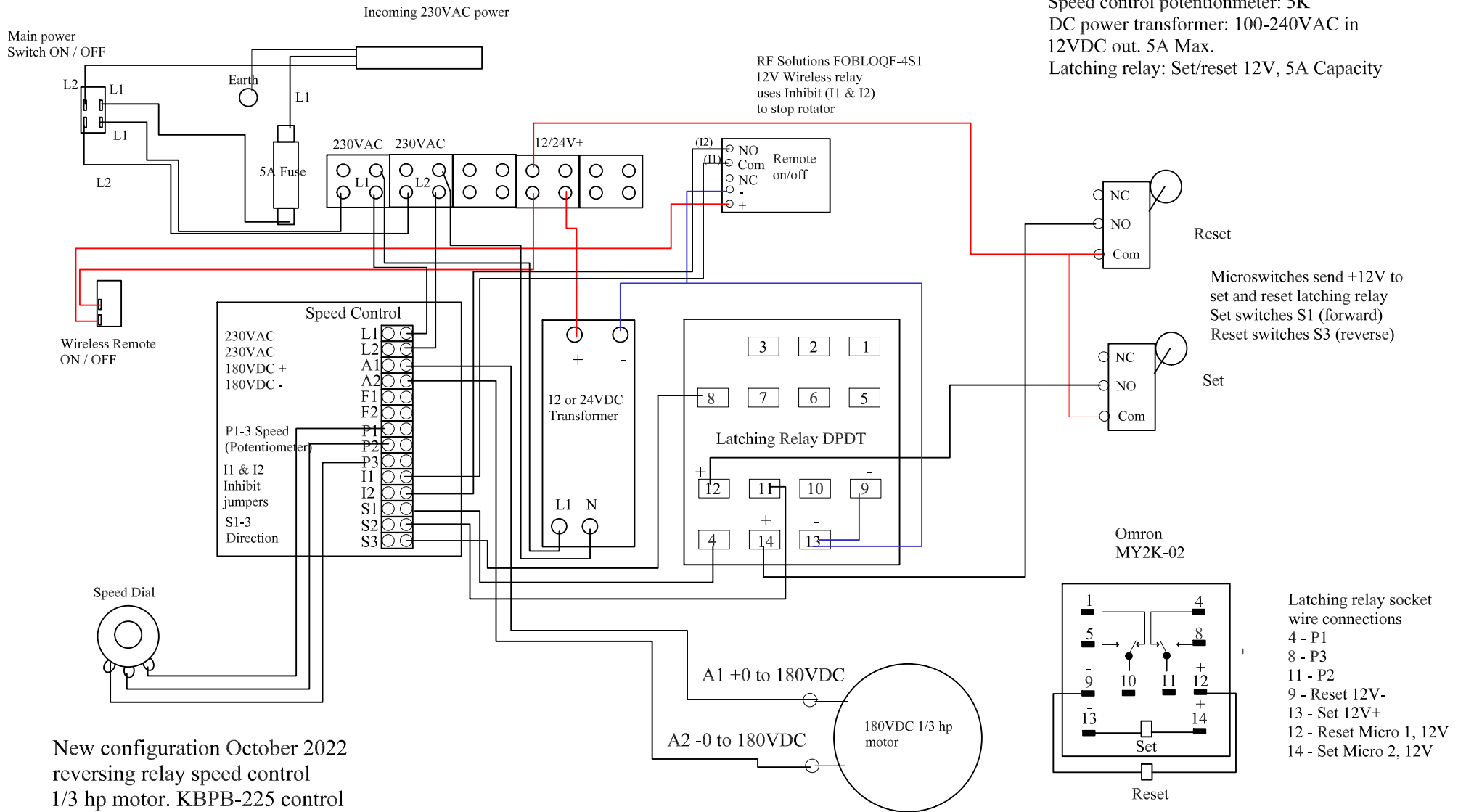


Semco Motion Products FG300-0 VS Hanging Rotator

Power Specifications

PMDC Motor: 1/3 HP, 180VDC, 1.75A
 Speed Control: 230VAC input, 0-180VDC Output
 Speed control switching: P1-P3, 10ma
 Speed control potentiometer: 5K
 DC power transformer: 100-240VAC in
 12VDC out. 5A Max.
 Latching relay: Set/reset 12V, 5A Capacity



New configuration October 2022
 reversing relay speed control
 1/3 hp motor. KBPB-225 control
 Omron DPDT latching relay
 RF Solutions FOBLOQ-S1
 wireless control, 200M range